



WORLDSUNLIGHT

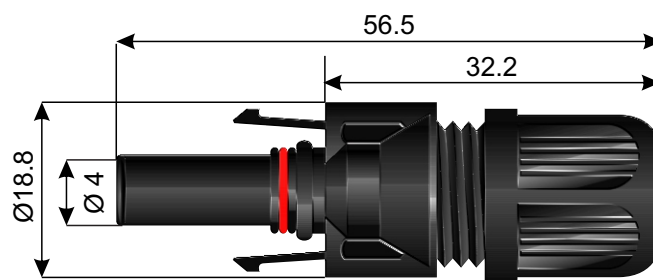
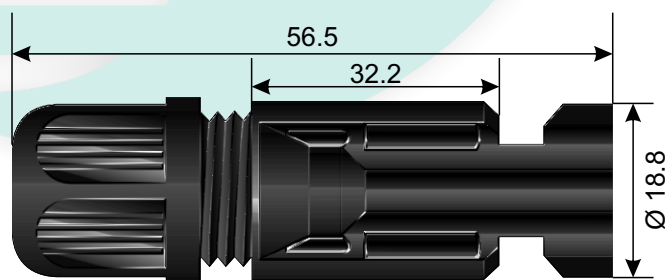
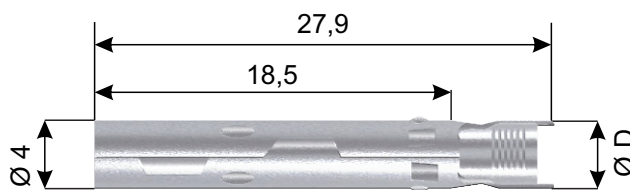
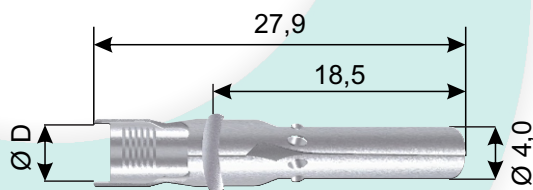


## Connector MC4-T1

### Technical parameters

Rated current	2,5 mm <sup>2</sup> :12A - 4,0 mm <sup>2</sup> :20A - 6,0 mm <sup>2</sup> :30A
Rated voltage	1000V DC
Test voltage	6000V(50Hz, 1min)
Overtoltage category/Ollution degree	CAT III/2
Conntact resistance of plug connectors	1mΩ
Conntact material	Copper, Ag plated
Insulation material	PC
Degree of protection	IP2*/IP67
Flame class	UL94-VO
Safety class	II
Suitable cable	Φ4-5-6-7(2.5mm <sup>2</sup> - 6.0mm <sup>2</sup> )
Insertion force/Withdrawal force	≤ 50N/ ≥ 50N
Connection system	Crimp connection
Temperature range	-40°C -+ 125°C

### Dimension





WORLDSUNLIGHT

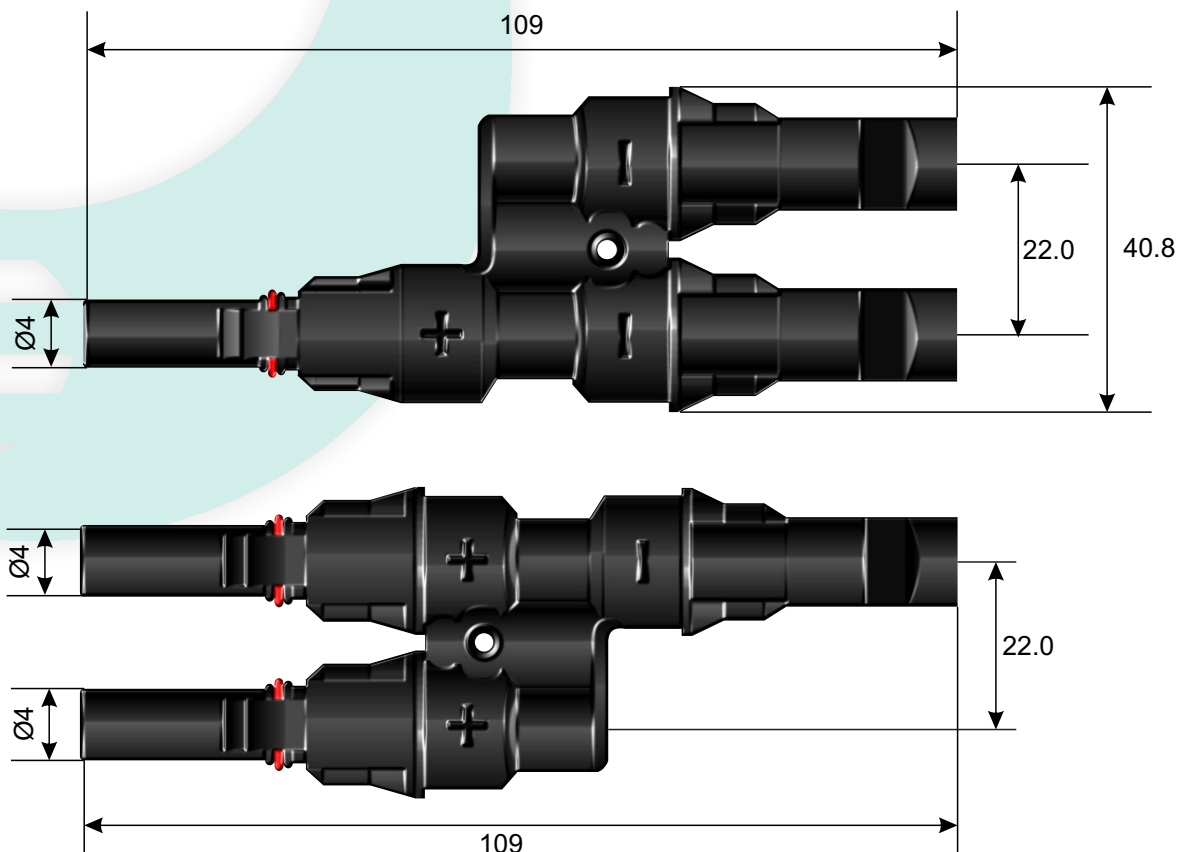


## Connector MC4-T2

### Technical parameters

Rated current	2,5 mm <sup>2</sup> :12A - 4,0 mm <sup>2</sup> :20A - 6,0 mm <sup>2</sup> :30A
Rated voltage	1000V DC
Test voltage	6000V(50Hz, 1min)
Overvoltage category/Ollution degree	CAT III/2
Conntact resistance of plug connectors	<=0.5mΩØ 4 mm
Conntact material	Copper, Ag plated
Insulation material	PPO (Black)
Degree of protection	Ip67 / IP2X
Flame class	UL94-VO
Safety class	II
Suitable cable	Φ4-5-6-7(2.5mm <sup>2</sup> - 6.0mm <sup>2</sup> )
Insertion force/Withdrawal force	≤ 50N/ ≥ 50N
Connection system	Cromp connection
Temperature range	-40°c -+ 125°c

### Dimension





WORLDSUNLIGHT

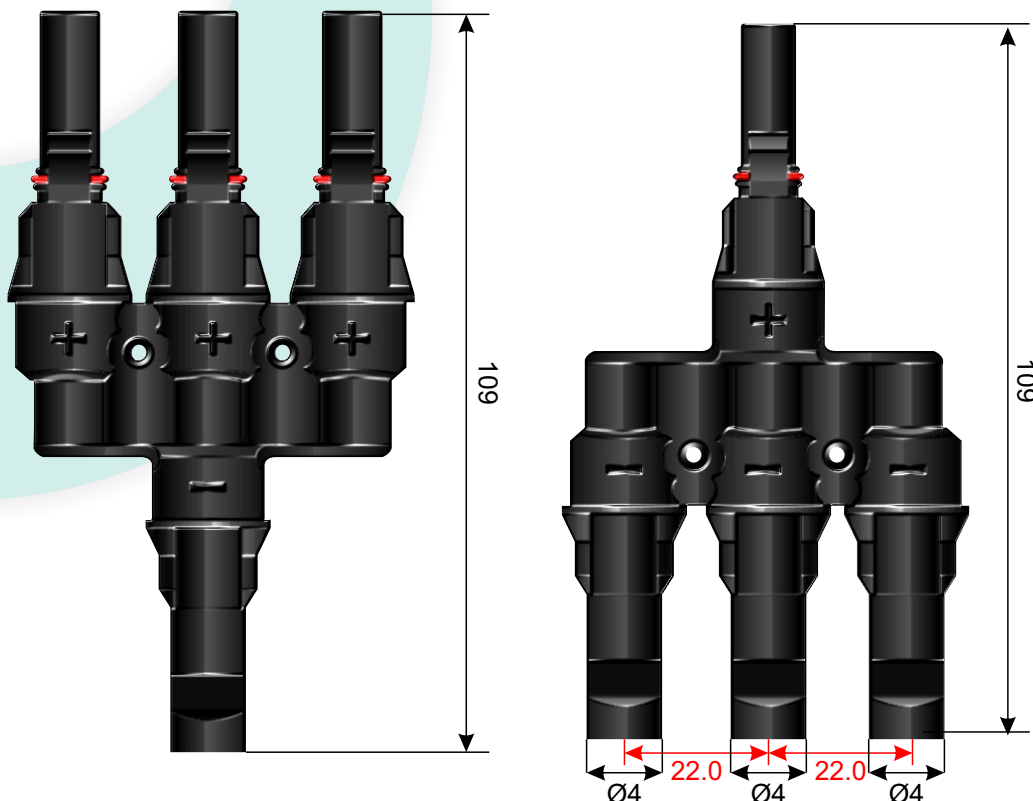


## Connector MC4-T3

### Technical parameters

Rated current	2,5 mm <sup>2</sup> :12A - 4,0 mm <sup>2</sup> :20A - 6,0 mm <sup>2</sup> :30A
Rated voltage	1000V DC
Test voltage	6000V(50Hz, 1min)
Overvoltage category/Ollution degree	CAT III/2
Conntact resistance of plug connectors	≤ 0,5 mΩ / Ø 4 mm
Conntact material	Silver copper
Insulation material	polycarbonate (PC) / polyamide (PA, nylon), black
Degree of protection	Ip67 / IP3X
Flame class	UL94-VO
Safety class	II
Suitable cable	Ø4-5-6-7(2.5mm <sup>2</sup> - 6.0mm <sup>2</sup> )
Insertion force/Withdrawal force	≤ 50N/ ≥ 50N
Connection system	Cromp connection
Temperature range	-40°c -+ 125°C

### Dimension





WORLDSUNLIGHT

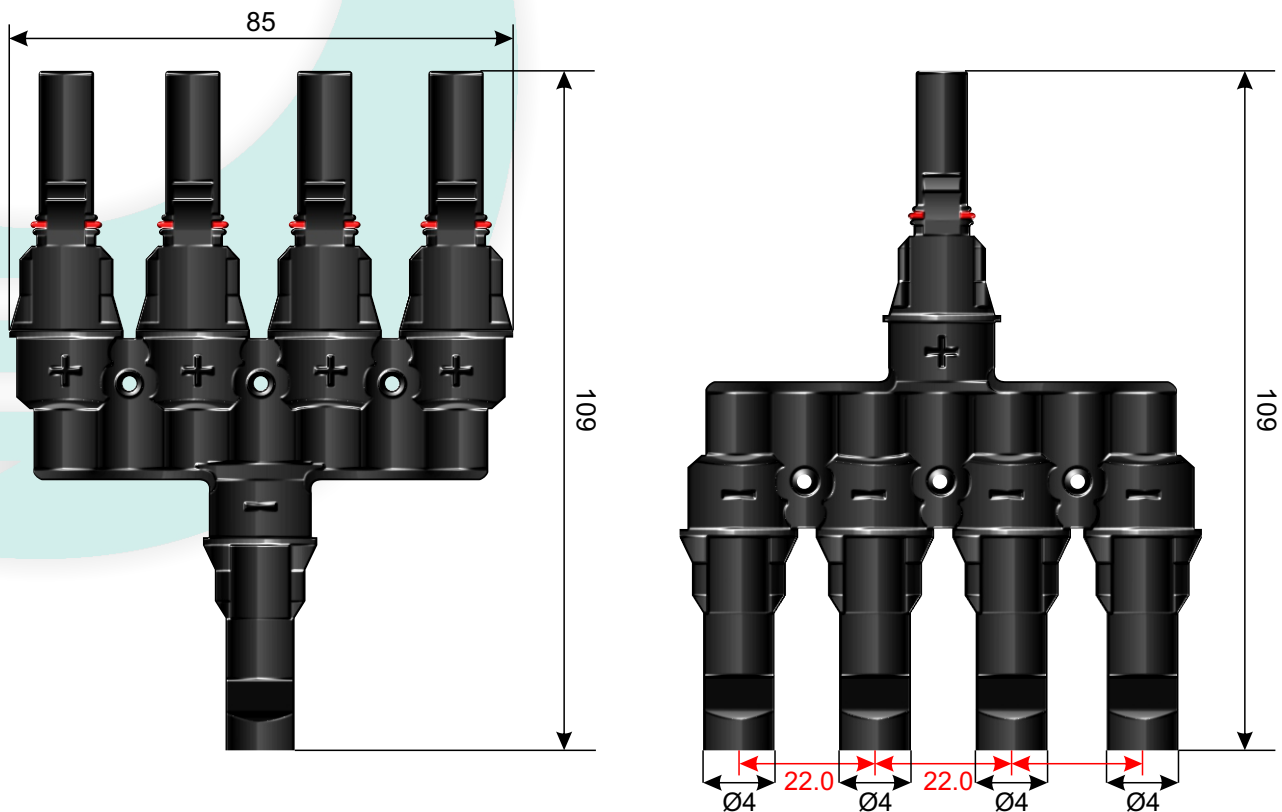


## Connector MC4-T4

### Technical parameters

Rated current	2,5 mm <sup>2</sup> :12A - 4,0 mm <sup>2</sup> :20A - 6,0 mm <sup>2</sup> :30A
Rated voltage	1500V DC
Test voltage	6000V(50Hz, 1min)
Overvoltage category/Ollution degree	CAT III/2
Conntact resistance of plug connectors	≤ 0,5 mΩ / Ø 4 mm
Conntact material	Tinned copper
Insulation material	Polycarbonate (PC) / Plyamide (PA, nylon), black
Degree of protection	Ip67 / IP2X
Flame class	UL94-HB / UL-94-V0.
Safety class	II
Suitable cable	Ø4-5-6-7(2.5mm <sup>2</sup> - 6.0mm <sup>2</sup> )
Insertion force/Withdrawal force	≤ 50N/ ≥ 50N
Connection system	Cromp connection
Temperature range	-40°c -+ 125°C

### Dimension





WORLDSUNLIGHT



## Connector MC4-T5

### Technical parameters

Rated current	2,5 mm <sup>2</sup> :12A - 4,0 mm <sup>2</sup> :20A - 6,0 mm <sup>2</sup> :30A (14 awg, 12awg, 10awg)
Rated voltage	1500V DC
Test voltage	6000V(50Hz, 1min)
Overvoltage category/Ollution degree	CAT III/2
Conntact resistance of plug connectors	≤ 0,5 mΩ / Ø 4 mm
Conntact material	Tinned copper
Insulation material	Polycarbonate (PC) / Plyamide (PA, nylon), black
Degree of protection	Ip67 / IP2X
Flame class	UL94-HB / UL-94-V0.
Safety class	II
Suitable cable	Ø4-5-6-7(2.5mm <sup>2</sup> - 6.0mm <sup>2</sup> )
Insertion force/Withdrawal force	≤ 50N/ ≥ 50N
Connection system	Cromp connection
Temperature range	-40°c -+ 125°c

### Dimension

